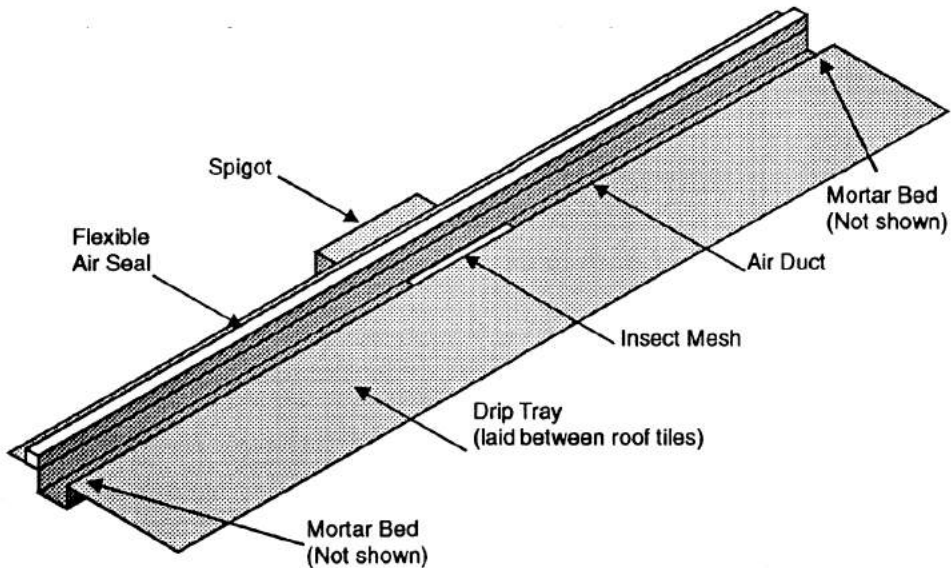


Under Tile Vent System Fitting Instructions

Please take a few moments to read these instructions. Installation following these notes will ensure speedy and correct fitting of the under tile vent system.

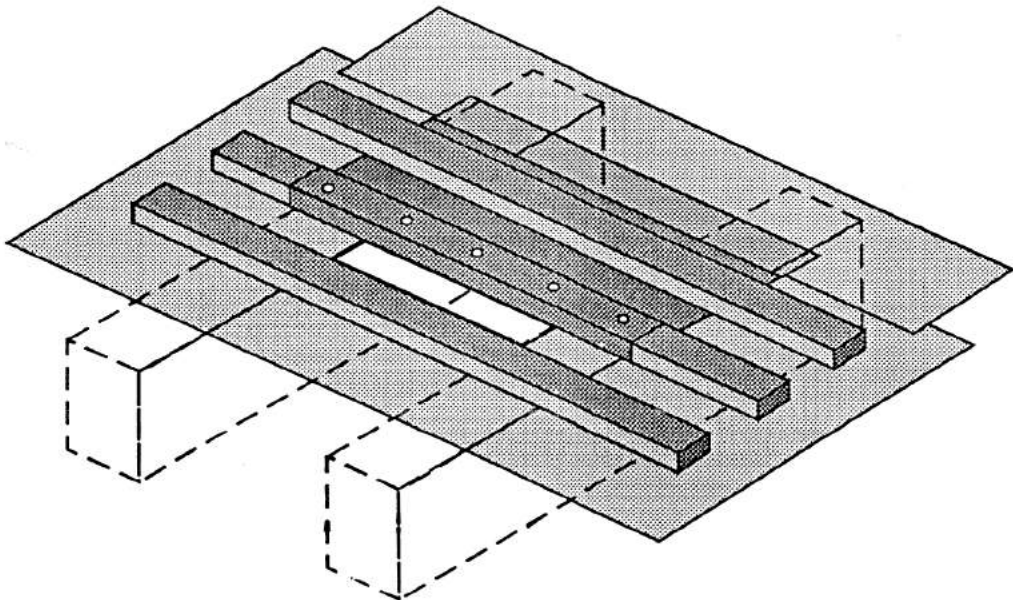
1

Remove vent from packaging and unfold. Identify the spigot and the drip tray sections.



2

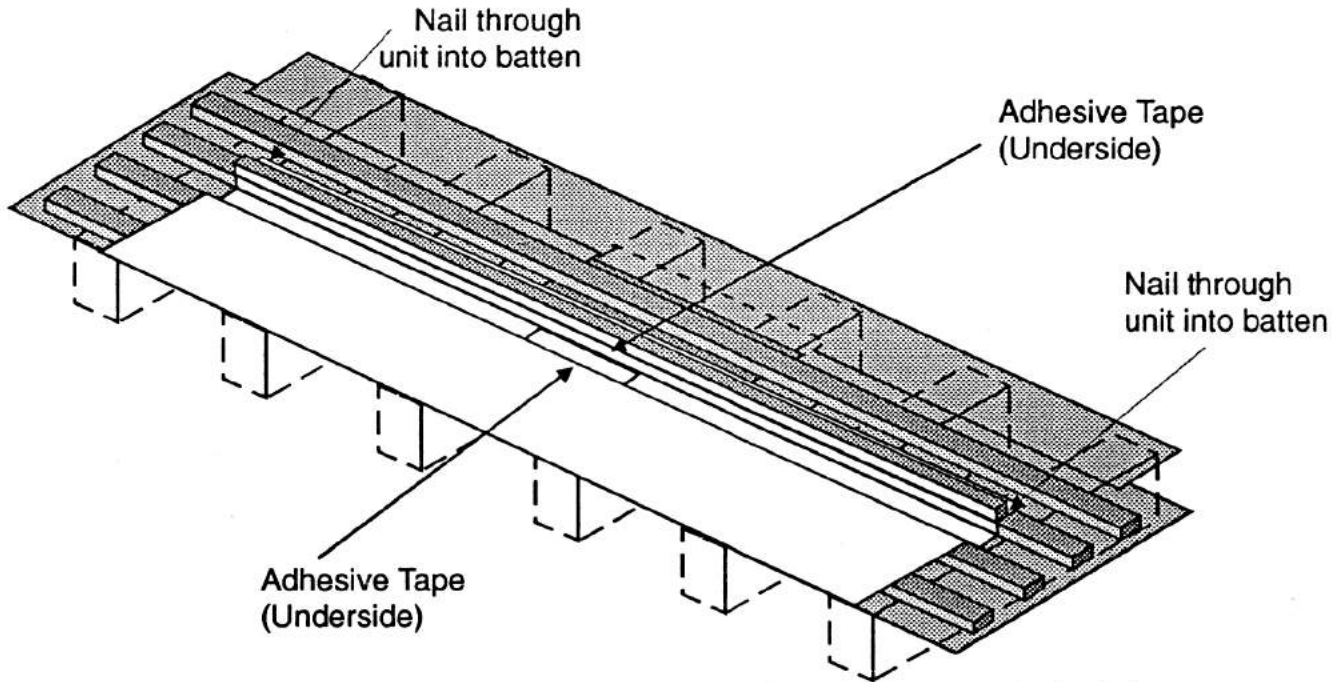
Select a suitable position and cut out a rectangle on underlay approximately 295mm x 65mm between rafters and battens. Insert a second layer of felt over the two adjacent rafters above cut-out. Take this up the roof slope to lap under the next horizontal stretch of underlay or over ridge. Turn this piece of felt up over the batten immediately above the ventilation cut-out and fix to top of battens with felt tacks. Ensure supplementary felt insert is fixed taut between rafters to deflect any moisture to felt covering adjacent rafter spacings.



Tudor Roof Tile Co. Limited

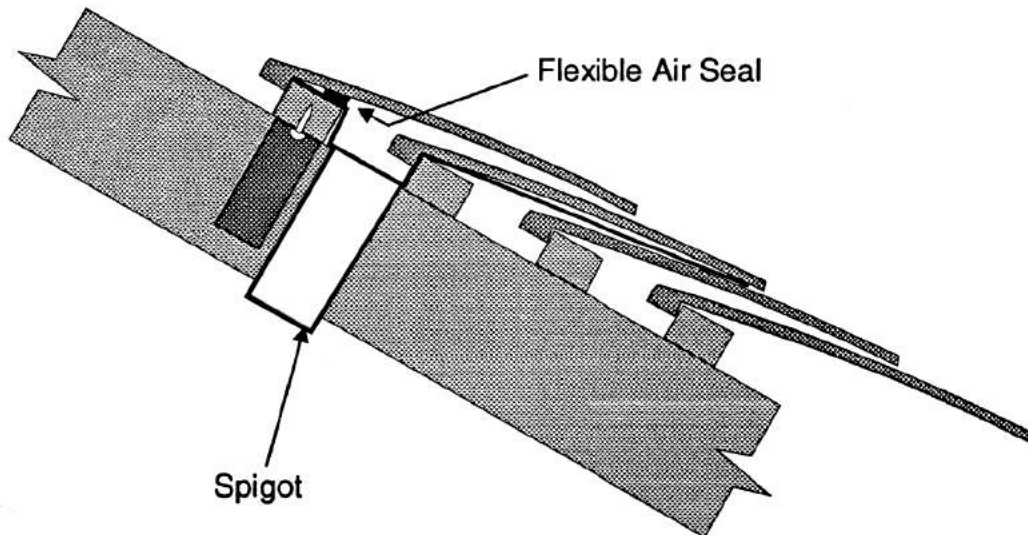
3

Insert spigot through the cut-out and position the full length of the tray in the gully between the battens. Whilst supporting the unit, locate and remove in turn, release paper from the double sided tape adjacent to the long sides of the spigot. Rub down tape firmly ensuring fold lines in the drip tray line up with the batten edges. Nail the top of each end of the unit to the batten.



4

Continue tiling and lay drip tray between tile courses as shown. Apply a mortar bed at both ends of the unit. Ensure tiles are double nailed on both courses over the entire unit. Take care that both mortar bed and flexible air seal are firmly depressed during nailing. Continue nailing up the roof space.



5

After applying silicon mastic the spigot can be interconnected with other fittings as specified.